



GRANULE

HIGH PRECISION  
METERING SYSTEM

MINI-COM



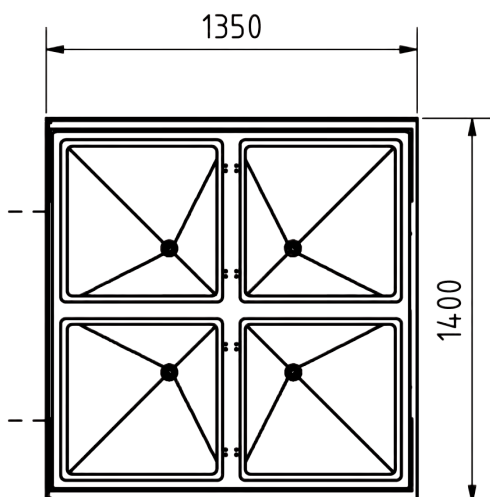
WÜRSCHUM



# MINI-COM High Precision Metering System

The new precision metering system MINI-COM meets the highest requirements in accuracy. Designed in particular for face mix applications in the paver industry, where small concrete batches require small dosages of colors with extreme accuracy. The MINI-COM can meter with an accuracy of +/- 1 g (0.04 oz) to create that special color shade your customer wants. MINI-COM utilizes exchangeable containers with one to four individual compartments. Ideal for face mix and color-mix applications. The MINI-COM can be retrofitted in an existing granular system type COM.

- Highest accuracy +/- 1 g (0.04 oz)
- Ideal for Face-Mix applications
- Easy retrofit with COM System



MINI-COM 10-4  
for 4 granules with 4 compartment  
exchangeable container ▶



# High Precision Metering System **MINI-COM**

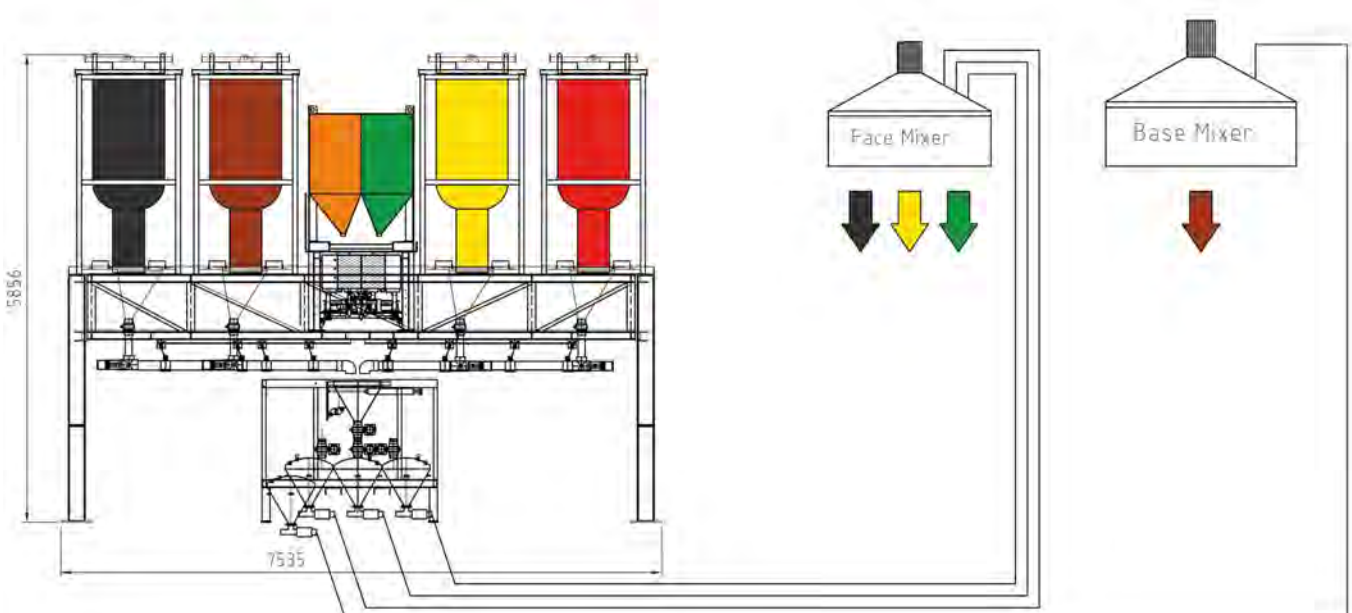


The MINI-COM is a precision metering system for granule pigments, which allows for +/- 1 g (0.04 oz) accuracy. It can be integrated in an existing color system. The MINI-COM meters the small quantities of 20 - 200 g (0.7 - 7 oz) in a very small precision scale and adds them to the 200 g - 30 kg (7 oz - 65 lbs) of the Big-Bag system. The MINI-COM system can also be used as a stand-alone unit.



▼ **COM 70-1**  
with 4 bulk bags and  
**MINI-COM 10-2**  
for two colors from  
paper bags

▼ **COM 70-4**  
with 4 bulk bags and 4  
sending vessels, three to  
face mixer, one to base  
mixer and  
**MINI-COM 10-2**  
for two colors from  
paper bags





# MINI-COM High Precision Metering System

Granular system COM 15-10 for metering of 10 base colors. The base colors can be supplied with bulk bag or paper bags. Additive metering to create any color shade with high repeatability. With pneumatic conveying into the concrete mixers to allow for flexible ground level installation.



Newly developed precision scale for metering granule allowing for an accuracy of +/- 5 g (0.2 oz) . The scale moves quickly below 10 stations with the base colors. The system is able to do additive metering of 100 g to 15 kg (4 oz - 32 lbs) from the base colors. When the batch is metered it can be discharged by gravity into one or several sending vessel type COM. From there the batch is pneumatically conveyed into one or more concrete mixers. These sending vessels are weight controlled to minimize the air consumption for the pneumatic conveying and monitor the conveying process. The weight control also ensures the complete discharge of the sending vessels.

◀ **COM 15-10**  
precision scale for  
10 base colors

## Würschum GmbH

Hedelfinger Str. 33  
73760 Ostfildern  
Germany

Tel.: +49 711 448 13-0  
Fax: +49 711 448 13-40

info@wuerschum.com  
www.wuerschum.com